

ELECTRONIC TOOL SETTER

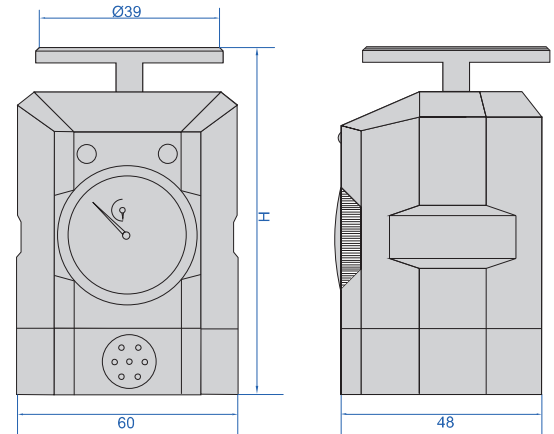
8MM RANGE

AUDIBLE AND VISUAL ALARM

Unit: mm



6559-100



- 8mm range(travel of anvil: 94~102mm)
- Audible and visual alarm:
 - When approaching 100.5 mm, the green LED light on, the beeper sounds a "beep"
 - When approaching 99.5 mm, the red and green LED lights blink in succession, the beeper sounds "beep beep beep"
- Magnetic base
- 2xLR44 Battery

Code	Graduation	Accuracy	Height(H)	Test force
6559-100	0.01mm	±0.01mm	100mm	5N(at 100mm)

